

Service
Service
Service



Service Manual



CONTENTS

Set wiring digram.....3-1

Circuit diagram

 LCD part4-1

 Power & AMP part4-2

 Tuner part5-1

 Vol & EQ part.....6-1

Layout diagram

 MCU board7-1

 Main board.....7-2

 Key board8-1

 Power board9-1

Service parts list10-1



© Copyright 2008 Philips Consumer Electronics B.V. Eindhoven, The Netherlands
All rights reserved. No part of this publication may be reproduced, stored in a retrieval system or transmitted, in any form or by any means, electronic, mechanical, photocopying, or otherwise without the prior permission of Philips.

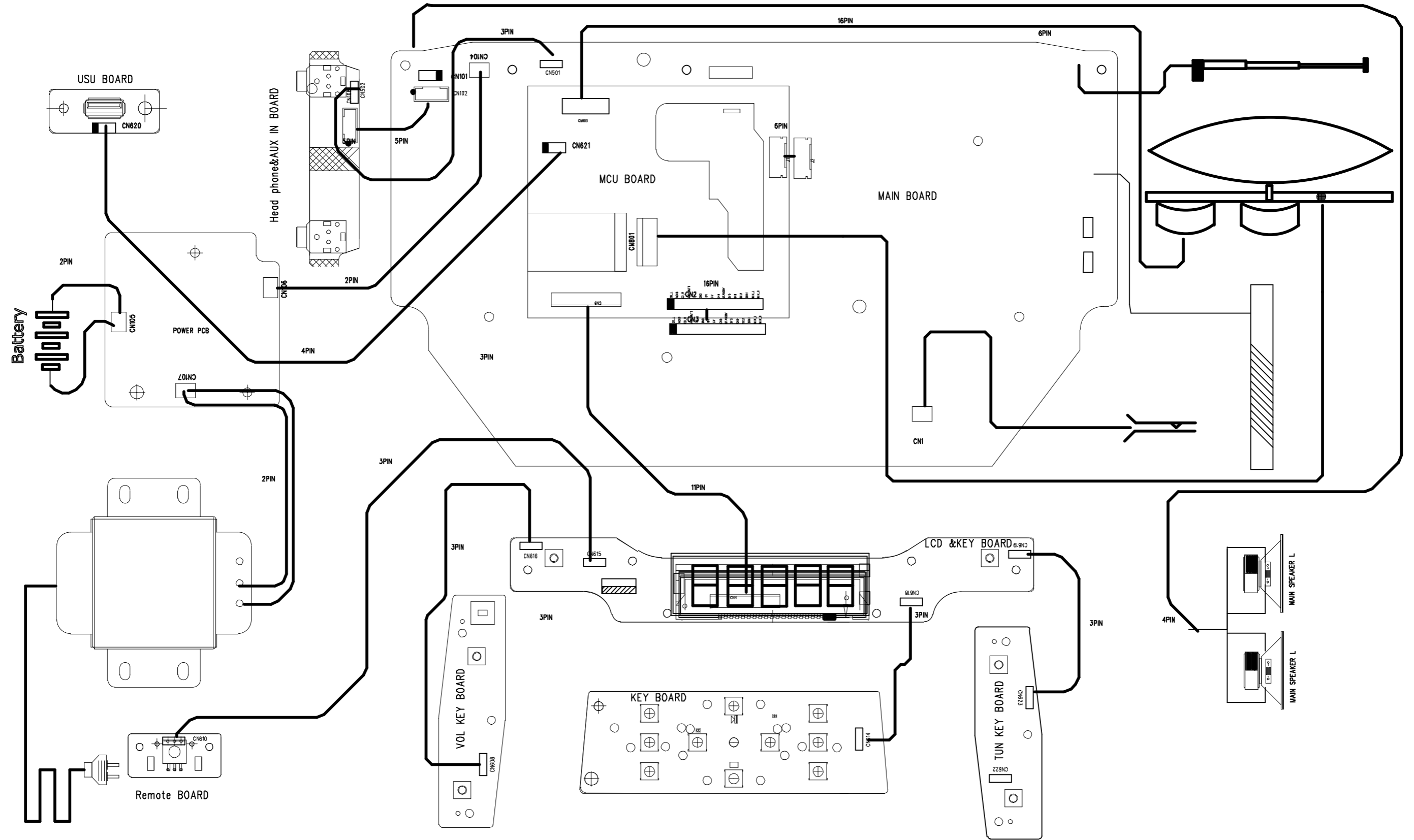
Published by LX 0823 Service Audio Subject to modification

3141 785 32900

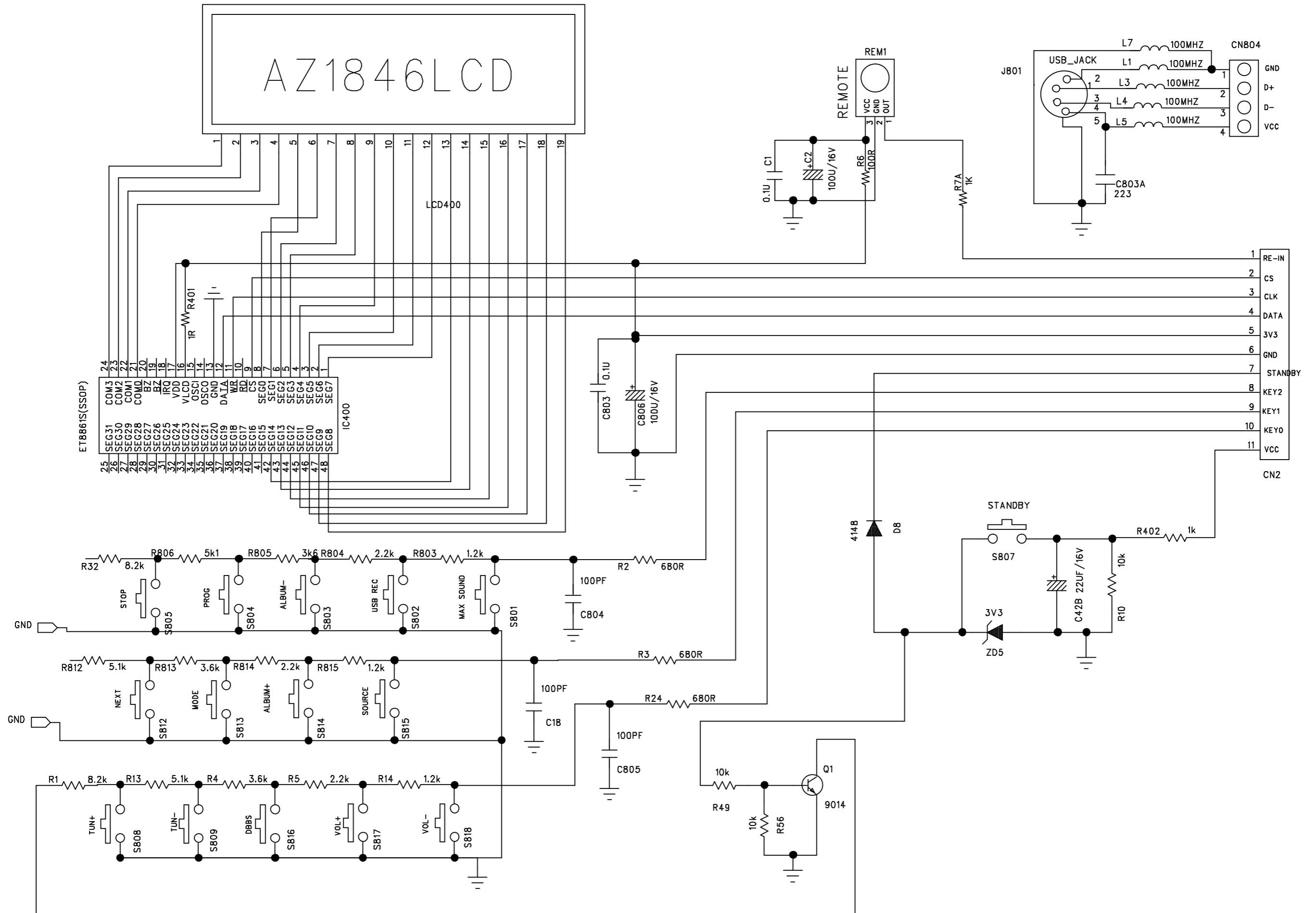
Version 1.0



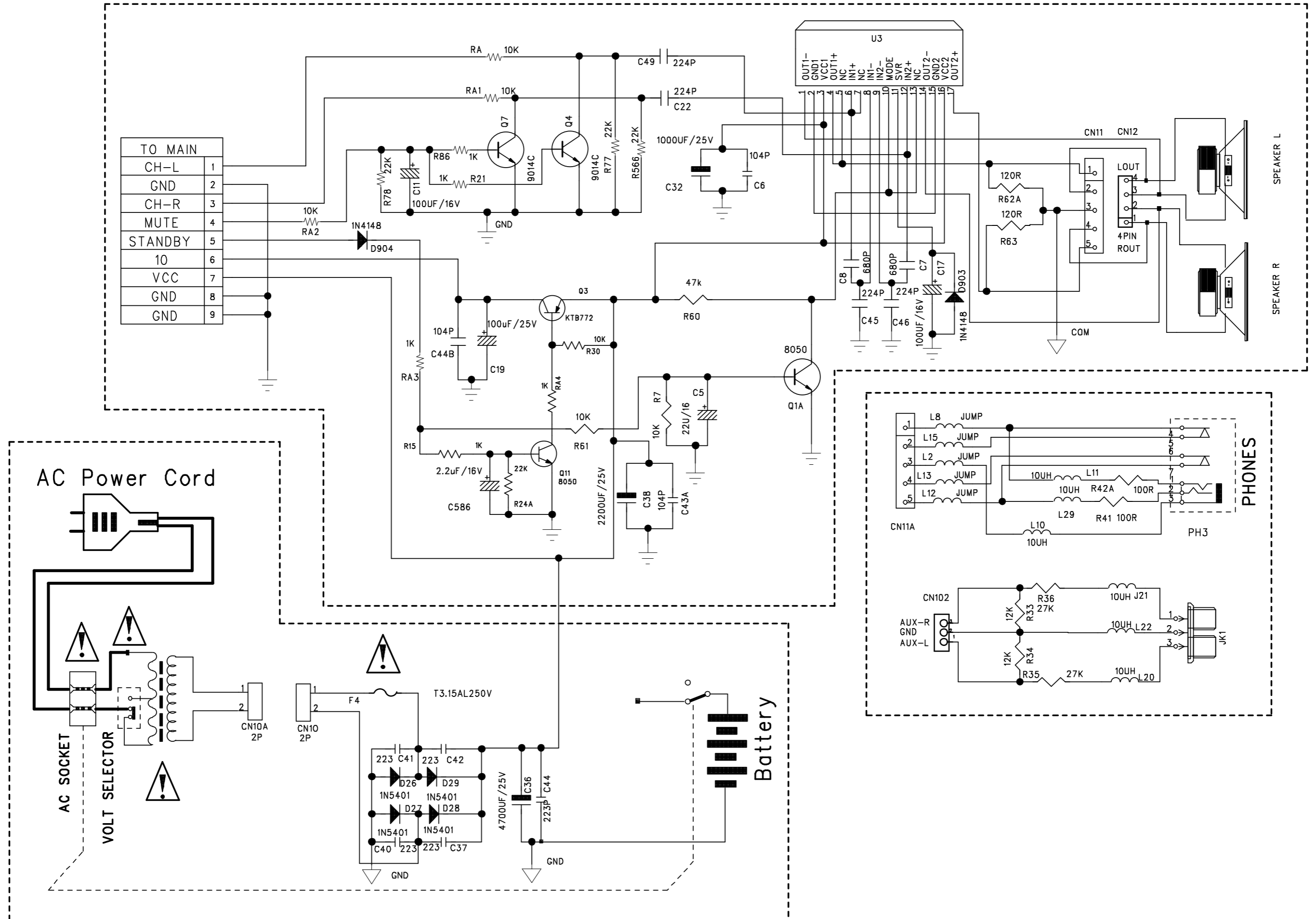
SET WIRING DIAGRAM



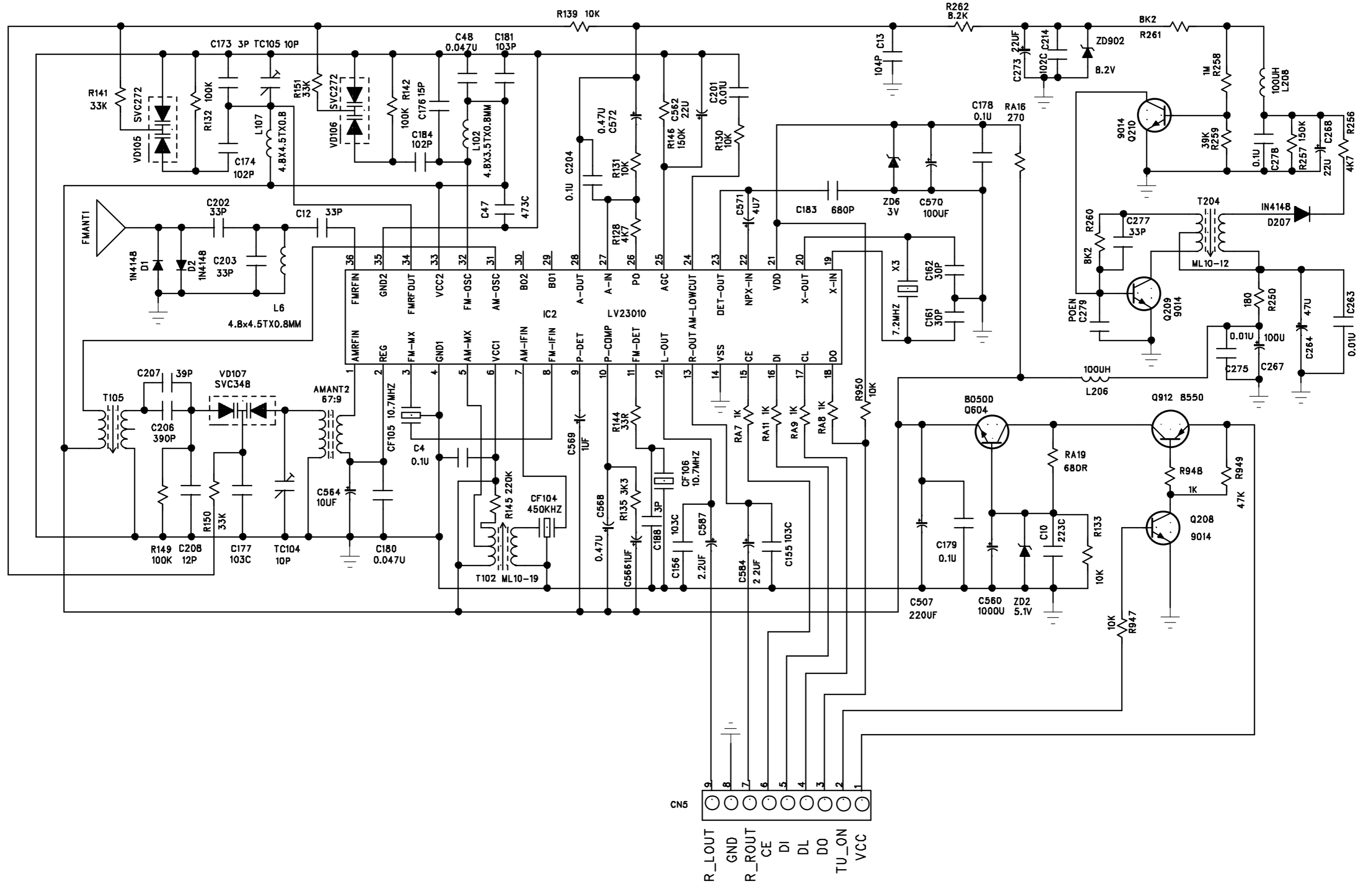
CIRCUIT DIAGRAM - LCD PART



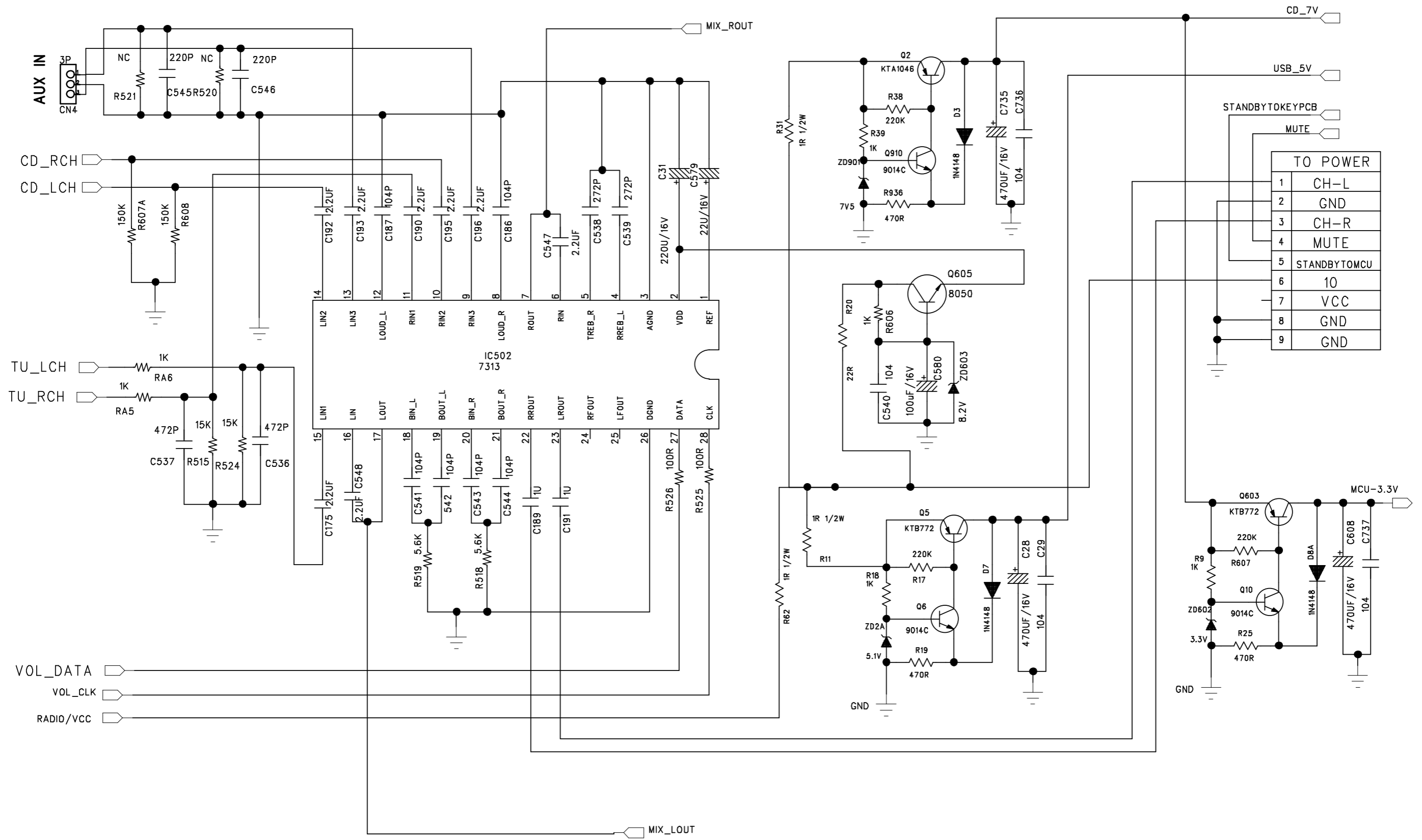
CIRCUIT DIAGRAM - POWER & AMP PART



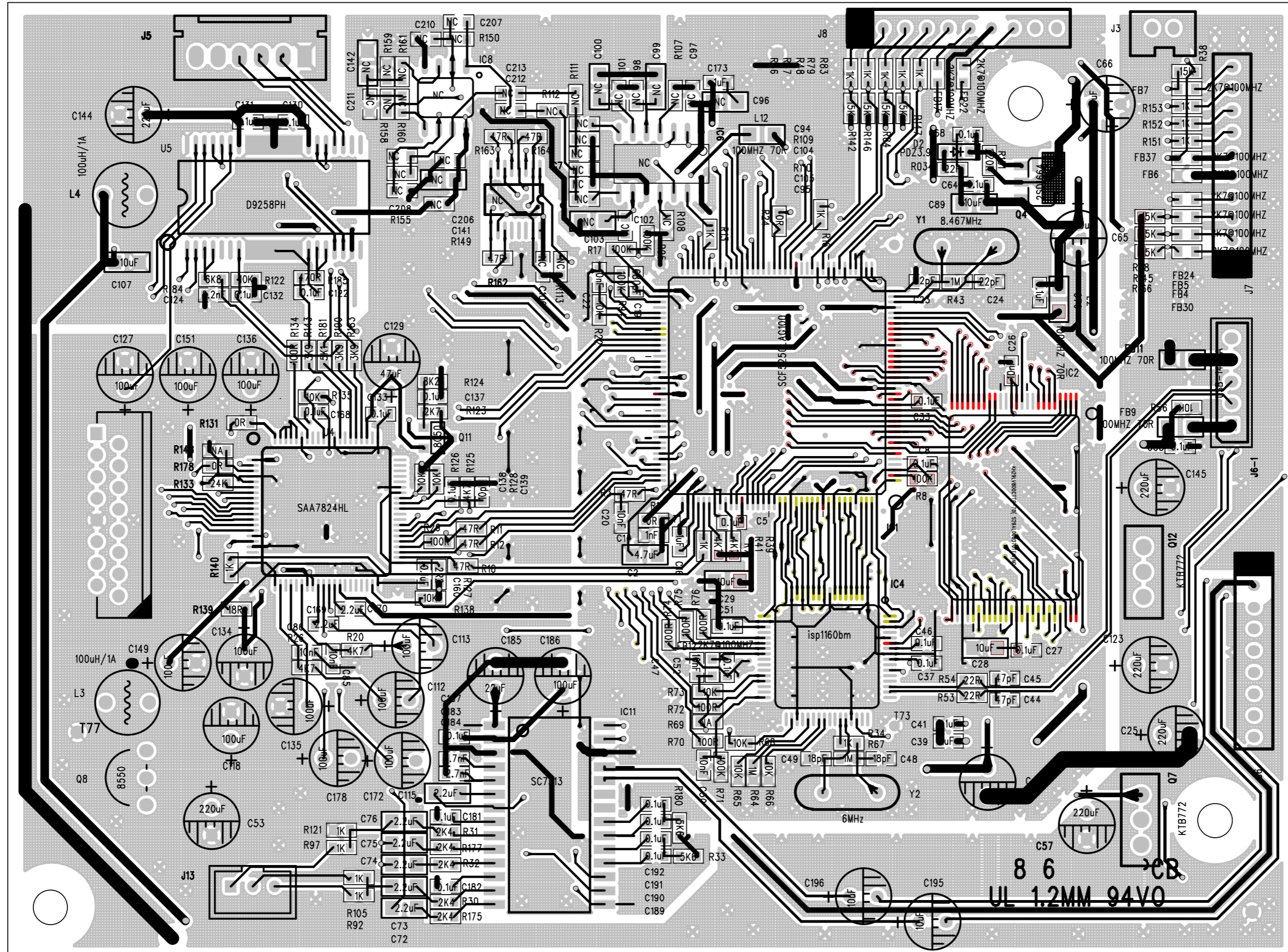
CIRCUIT DIAGRAM - TUNER PART



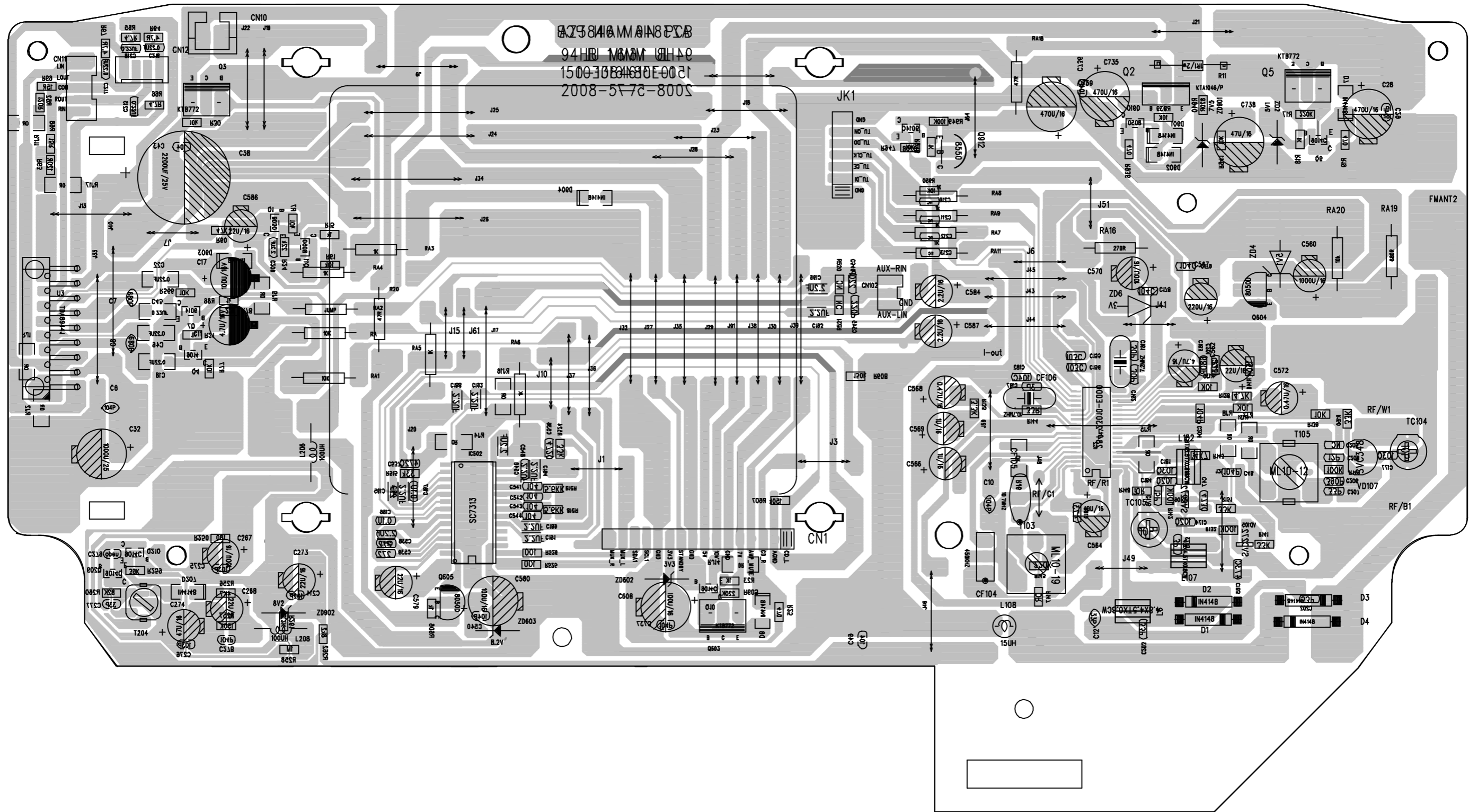
CIRCUIT DIAGRAM - VOL & EQ PART



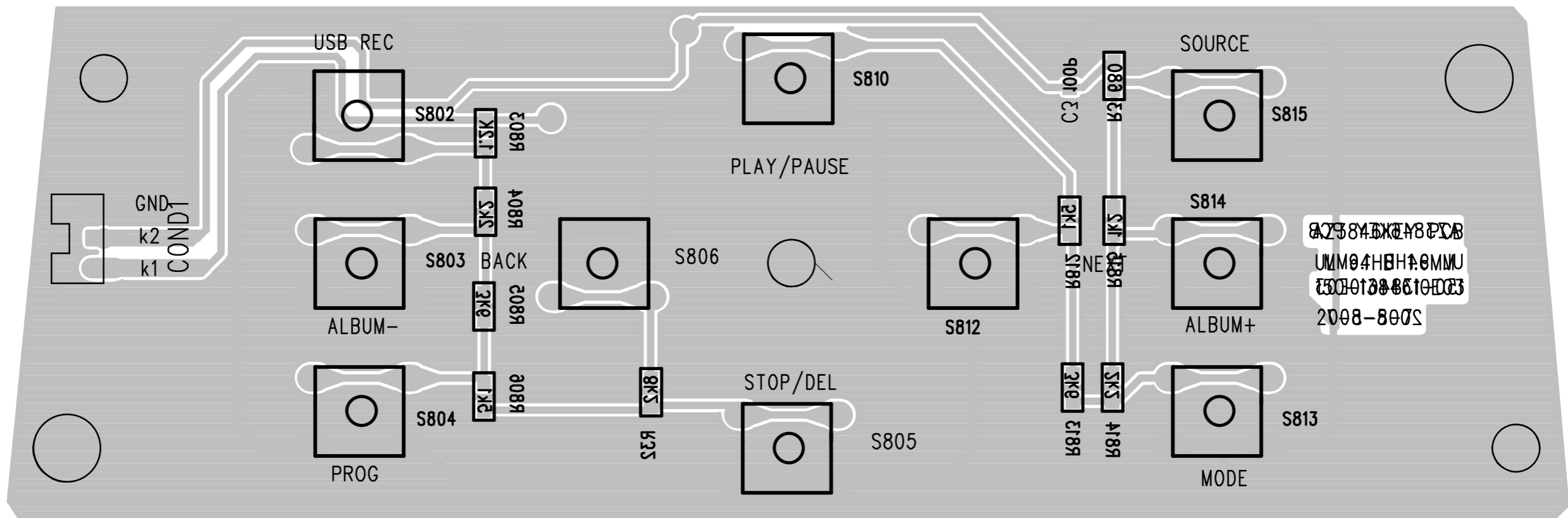
LAYOUT DIAGRAM - MCU BOARD



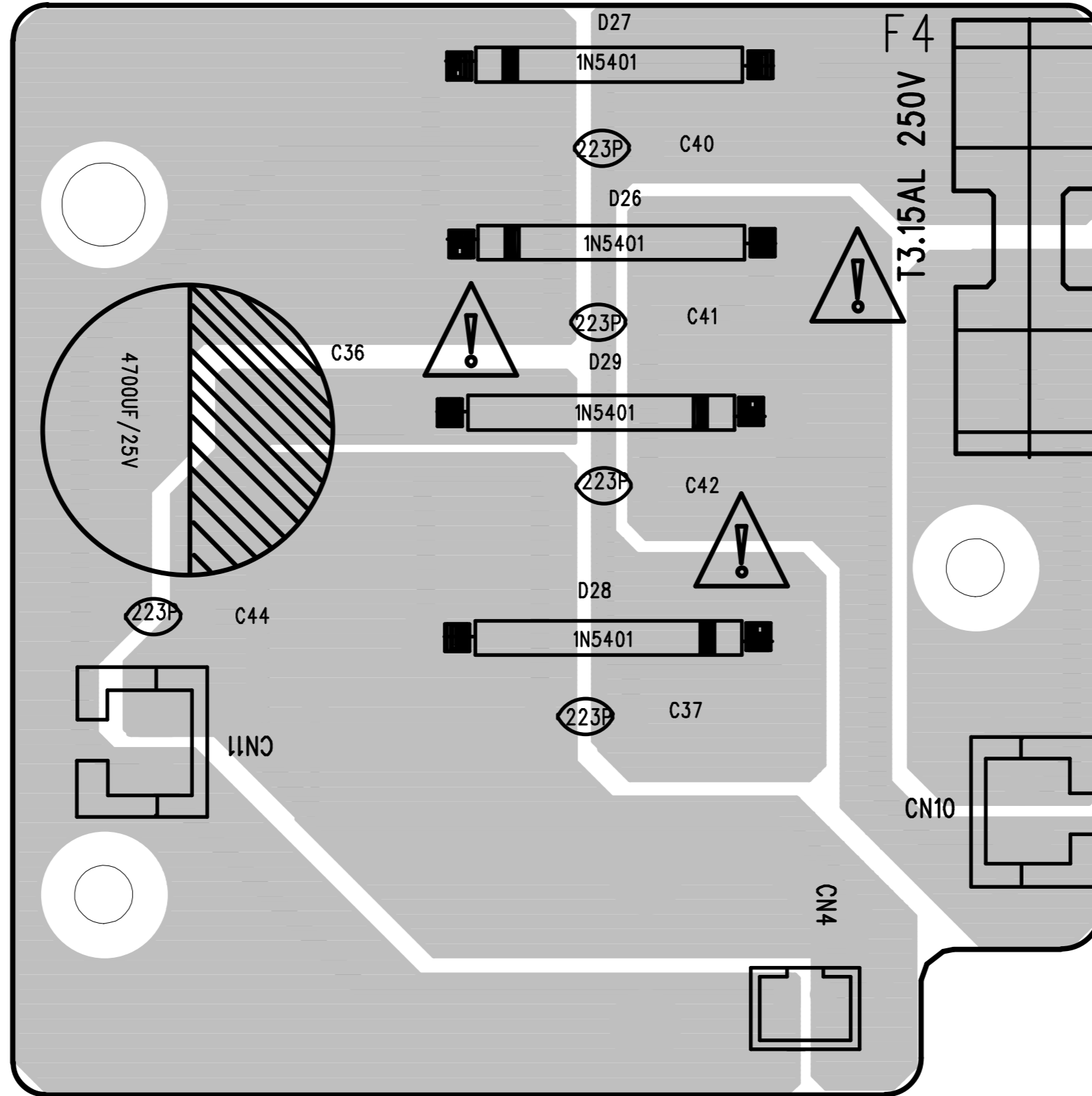
LAYOUT DIAGRAM - MAIN BOARD



LAYOUT DIAGRAM - KEY BOARD



LAYOUT DIAGRAM - PWOER BOARD



Service parts list

12	996510015777	7821 CD DOO SPING (EP)
13	994000004061	7871 CD RUBBER CUSHION BLACK
14	994000005189	7871 CD RUBBER CUSHION PINK
15	996510006691	7871 CD PICK UP DUSTCOVER
16	994000004726	7831 GEAR (MODE:0.8)
17	994000004727	7831 GEAR STAND (MODE:0.8)
18	996510015778	CD DOOR
19	996510014889	PH-AZ1839 HANDLE
24	994000004086	AC POWER SOCKET
20	996500038819	CD MECHANISM SANYO DA11VF
21	996510014887	PH-AZ1839 BATTERY DOOR
22	994000004085	7871 ROD ANTENNA 2 SEG
11	996510015776	REMOTE HANDSET MCS SECTION
23	996510010489	VDE-APP AC CORD,W/SOCKET,PLUG

Note: Only these parts mentioned in the list are normal service parts.